



**30,000 GALS. FIRE TANK AND PUMPHOUSE
STEEL BUILDING**

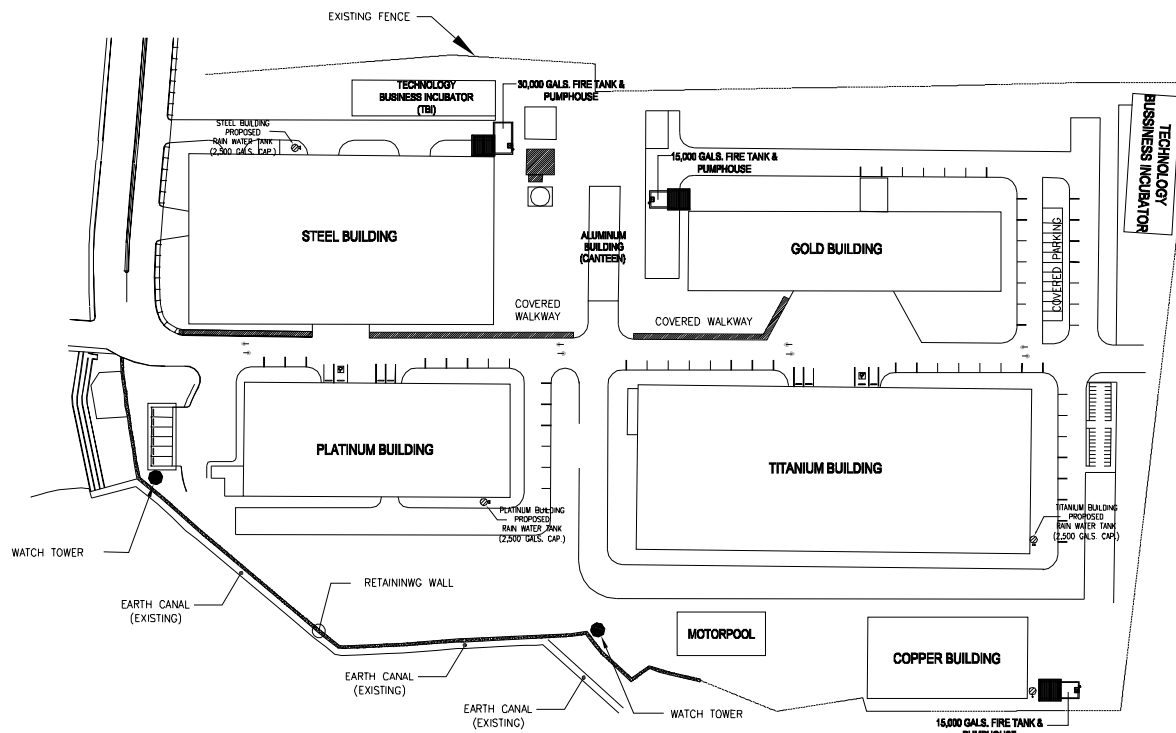


**15,000 GALS. FIRE TANK AND PUMPHOUSE
GOLD BUILDING**



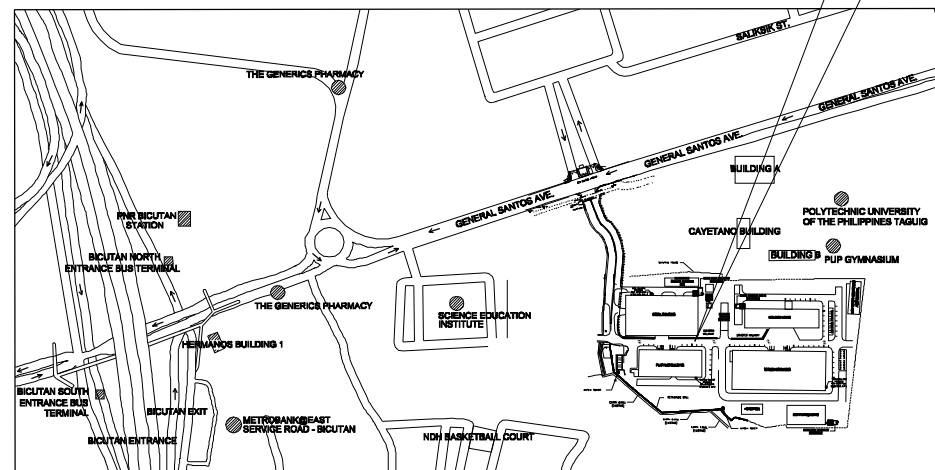
**15,000 GALS. FIRE TANK AND PUMPHOUSE
COPPER BUILDING**

1 PERSPECTIVES
SCALE: N.T.S.



2 SITE DEVELOPMENT PLAN
SCALE: N.T.S.

THIS SITE
GEN. SANTOS AVE., BICUTAN,
TAGUIG CITY, METRO MANILA



3 VICINITY MAP
SCALE: N.T.S.

TABLE OF CONTENTS

DWG NO	SHEET CONTENTS
ARCHITECTURAL	
A - 1	TABLE OF CONTENTS PERSPECTIVES SITE DEVELOPMENT PLAN VICINITY MAP
A - 2	15,000 GALS. FIRE TANK AND PUMPHOUSE FLOOR PLAN ROOF PLAN ELEVATIONS & SECTIONS DOOR & WINDOW SCHEDULE
A - 3	30,000 GALS. FIRE TANK AND PUMPHOUSE FLOOR PLAN ROOF PLAN ELEVATIONS & SECTIONS DOOR & WINDOW SCHEDULE
STRUCTURAL	
S - 1	GENERAL NOTES TYPICAL STRUCTURAL STANDARD DETAILS
S - 2	15,000 GALS. FIRE TANK AND PUMPHOUSE FOUNDATION PLAN, FOOTING, COLUMN SCHEDULE & DETAILS ROOF BEAM FRAMING PLAN, SCHEDULE & DETAILS ROOF FRAMING PLAN & DETAILS
S - 3	30,000 GALS. FIRE TANK AND PUMPHOUSE FOUNDATION PLAN, FOOTING, COLUMN SCHEDULE & DETAILS ROOF BEAM FRAMING PLAN, SCHEDULE & DETAILS ROOF FRAMING PLAN & DETAILS
FIRE PROTECTION	
FP-1	GENERAL NOTES, LEGENDS & SYMBOL, DRAWING INDEX SCHEMATIC DIAGRAM AND EQUIPMENTS SCHEDULE
FP-2	MISCELLANEOUS DETAILS
FP-3	BASEMENT FLOOR GOLD BUILDING FIRE PROTECTION LAYOUT
FP-4	GROUND FLOOR GOLD BUILDING FIRE PROTECTION LAYOUT
FP-5	SECOND FLOOR GOLD BUILDING FIRE PROTECTION LAYOUT
FP-6	THIRD FLOOR GOLD BUILDING FIRE PROTECTION LAYOUT
FP-7	COPPER BUILDING FIRE PROTECTION LAYOUT SCHEMATIC DIAGRAM AND EQUIPMENT SCHEDULE
FP-8	GROUND FLOOR STEEL BUILDING FIRE PROTECTION LAYOUT
FP-9	SECOND FLOOR STEEL BUILDING FIRE PROTECTION LAYOUT
FP-10	STEEL BUILDING SCHEMATIC DIAGRAM AND EQUIPMENT SCHEDULE
MECHANICAL	
ELECTRICAL	
ARCHITECTURAL	
LINE AND GRADE	
LAND USE AND ZONING	

REPUBLIC OF THE PHILIPPINES
DEPARTMENT OF PUBLIC WORKS
AND HIGHWAYS

OFFICE OF THE BUILDING
OFFICIAL

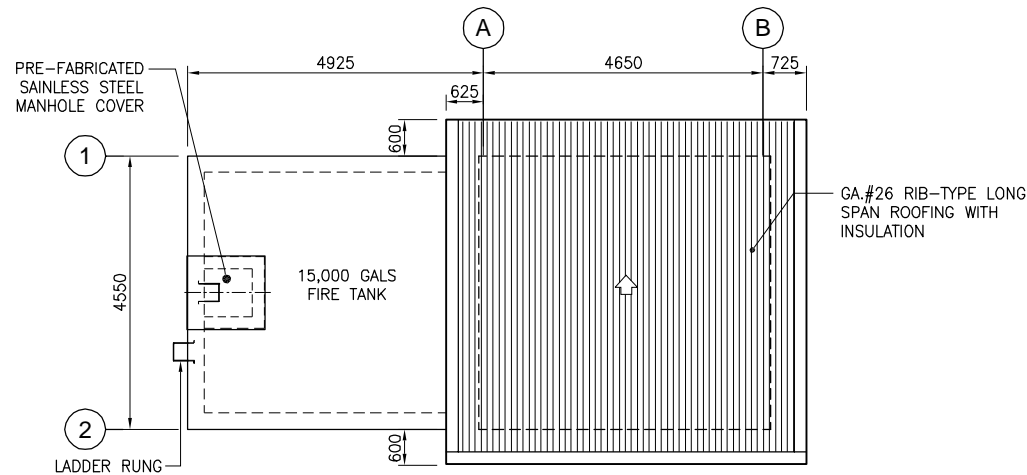
TAGUIG CITY



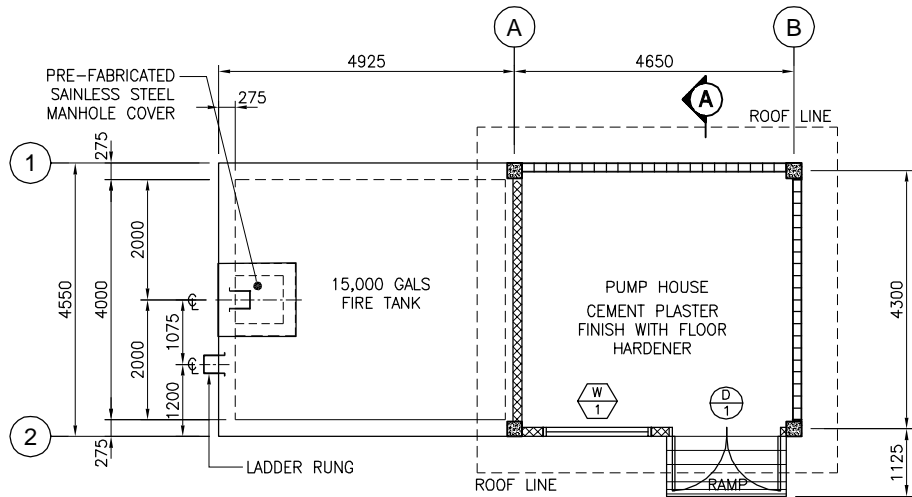
GIBMA Engineering Services
Design - Construction - Project Management - Surveys

93 Kalikasan Street Karangalan Village Phase 2A, Dela Paz, Pasig City 1611
Tel. No.: 882 7114 Fax. No.: 682 8467 Cellphone No.: 0920 9226441
URL: www.gibma.com E-mail: gibma2003@yahoo.com

ARCHITECT OF RECORD :	PROJECT TITLE :	OWNER :	DATE :	REVISION :	DESCRIPTION :	DESIGNED BY :	L.F.S.	SHEET CONTENTS :	DRAWING NO. :
LEMUEL F. SANTOS, UAP	DESIGN OF FIRE FIGHTING SYSTEM FOR MIRDC BUILDINGS	METAL INDUSTRY RESEARCH AND DEVELOPMENT CENTER (MIRDC)				CADD BY :	L.F.S.	PERSPECTIVES SITE DEVELOPMENT PLAN VICINITY MAP	A - 1
REG. NO. : 0038232 PTR NO. : 5036444						DATE :			SHEET NO. :
IAPCA No : 35702 200636 081617 ISSUED ON : 01-04-2019	LOCATION :	ADDRESS :				CHECKED BY :	G.B.M.		
						APPROVED BY :			- / -



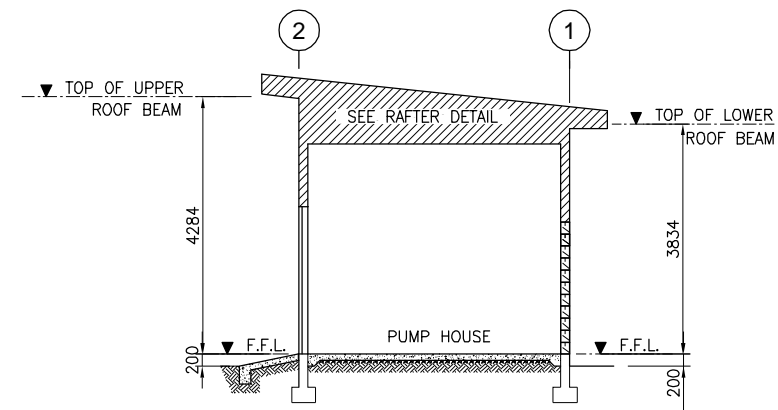
2 ROOF PLAN
SCALE: 1:75 M.



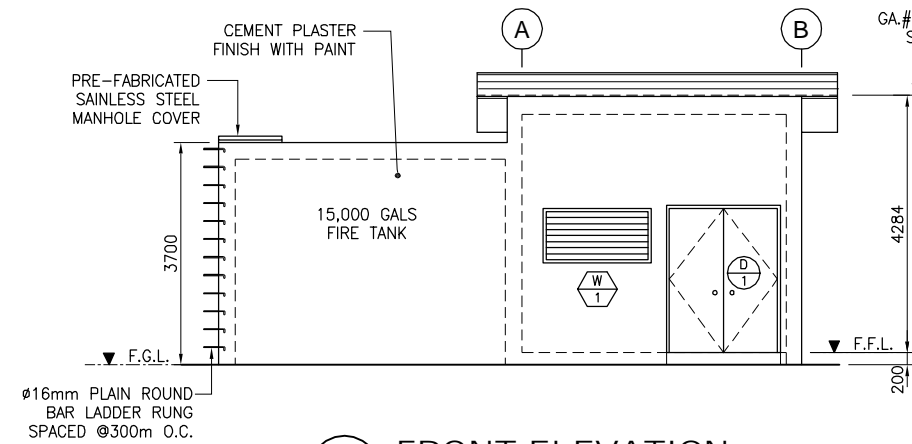
1 FLOOR PLAN
SCALE: 1:75 M.

	1800 2400		1800 900 1500
DESCRIPTION: PRE-PAINTED SWING TYPE METAL DOOR (FIRE RATED), ANTI-CORROSIIVE PAINT BAKED FINISH ON 50mm x 150mm GA.#16 METAL DOOR JAMB AND HEAD COMPLETE WITH ACCESSORIES. (PAINTED EPOXY LIGHT GRAY)		DESCRIPTION: METAL LOUVER WINDOW WITH PAINT FINISH	
REQUIRED SET: ONE (1)		REQUIRED SET: ONE (1)	

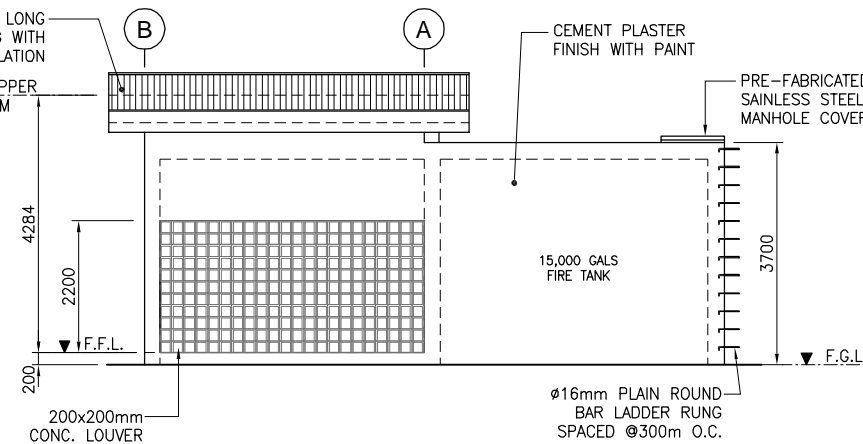
1 DOOR & WINDOW SCHEDULE
SCALE: N.T.S.



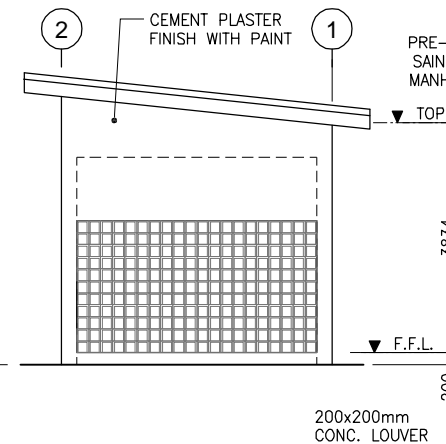
1 SECTION THRU A-A
SCALE: 1:75 M.



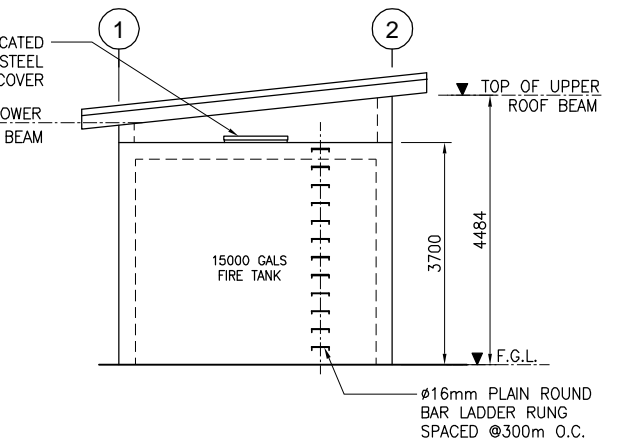
3 FRONT ELEVATION
SCALE: 1:75 M.



1 REAR ELEVATION
SCALE: 1:75 M.

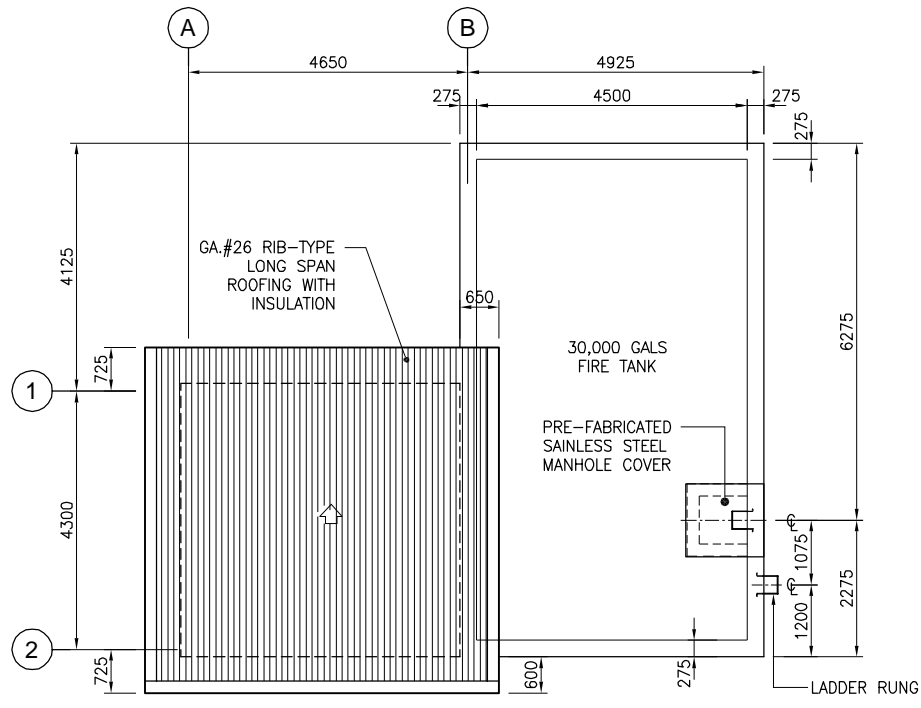


1 RIGHT SIDE ELEVATION
SCALE: 1:75 M.



1 LEFT SIDE ELEVATION
SCALE: 1:75 M.

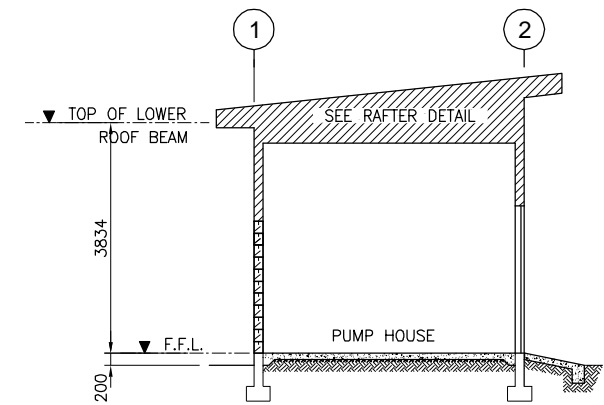
ARCHITECT OF RECORD: LEMUEL F. SANTOS, UAP	PROJECT TITLE: PROPOSED PUMP HOUSE & FIRE TANK	OWNER: METAL INDUSTRY RESEARCH AND DEVELOPMENT CENTER (MIRDC)	DATE:	REVISION:	DESCRIPTION:	DESIGNED BY: LFS	SHEET CONTENTS: PUMP HOUSE & 15,000 GALS FIRE TANK	DRAWING NO.: A - 2
REG. NO.: 0039232 PTR. NO.: 5035423	IAPOA No.: 35702 239541 092518 ISSUED ON: JAN. 3, 2019	LOCATION:	ADDRESS:	DATE:	CHECKED BY: LFS	CADD BY: RHV	FLOOR PLAN ROOF PLAN ELEVATIONS & SECTION	SHEET NO.:
					APPROVED BY:			



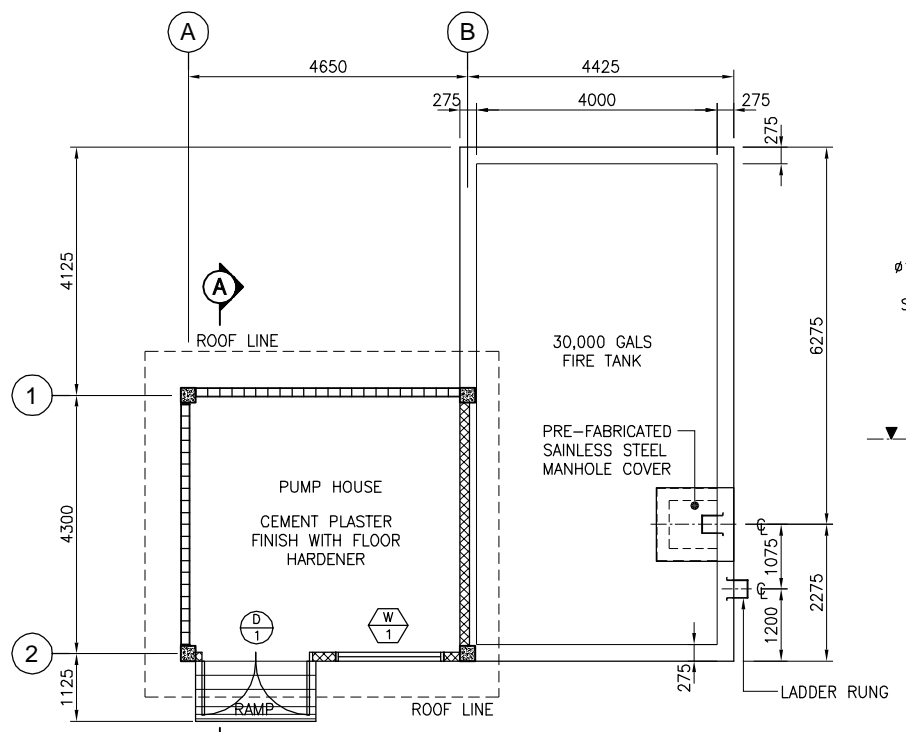
2 ROOF PLAN
SCALE: 1:75 M.

	<p>1800</p> <p>2400</p>		<p>1800</p> <p>900</p> <p>1500</p>
<p>DESCRIPTION:</p> <p>PRE-PAINTED SWING TYPE METAL DOOR (FIRE RATED), ANTI-CORROSIVE PAINT BAKED FINISH ON 50mm x 150mm GA.#16 METAL DOOR JAMB AND HEAD COMPLETE WITH ACCESSORIES. (PAINTED EPOXY LIGHT GRAY)</p>		<p>DESCRIPTION:</p> <p>METAL LOUVER WINDOW WITH PAINT FINISH</p>	
<p>REQUIRED SET: ONE (1)</p>		<p>REQUIRED SET: ONE (1)</p>	

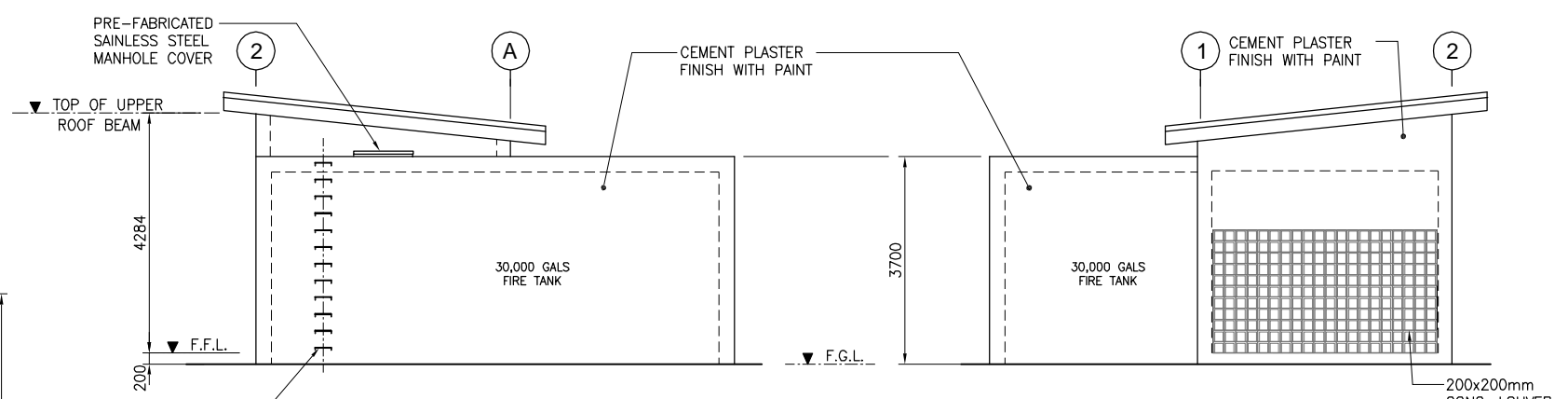
8 DOOR & WINDOW SCHEDULE
SCALE: 1:50 M.



7 SECTION THRU A-A
SCALE: 1:75 M.

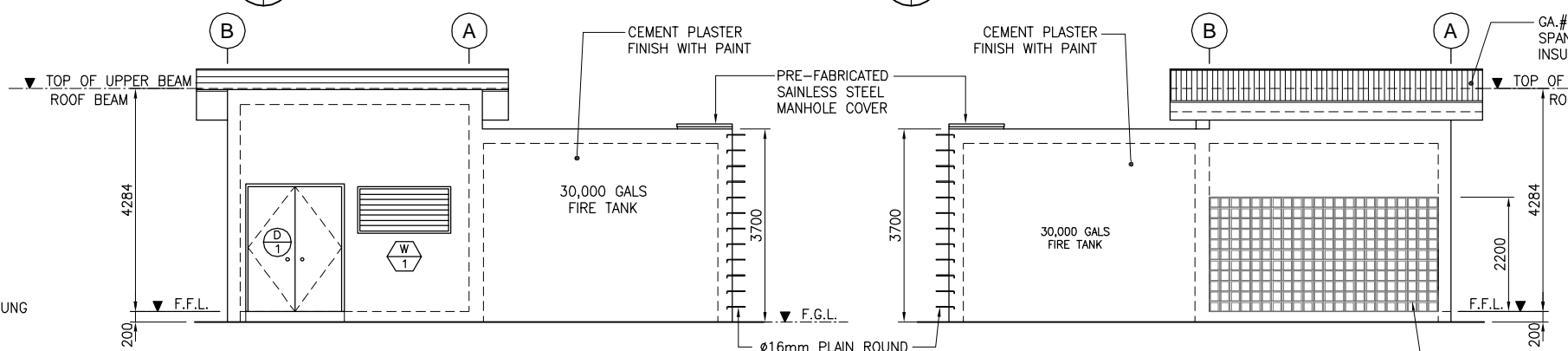


1 FLOOR PLAN
SCALE: 1:75 M.



4 RIGHT SIDE EVATION
SCALE: 1:75 M.

6 LEFT SIDE EVATION
SCALE: 1:75 M.



3 FRONT ELEVATION
SCALE: 1:75 M.

5 REAR ELEVATION
SCALE: 1:75 M.

GIBMA Engineering Services
Design - Construction - Project Management - Surveys

93 Kalikasan Street Karangalan Village Phase 2A, Dela Paz, Pasig City 1611
Tel. No.: 682 7114 Fax. No.: 682 8467 Cellphone No.: 0920 9226441
URL: www.gibma.com E-mail: gibma2003@yahoo.com

ARCHITECT OF RECORD: LEMUEL F. SANTOS, UAP	PROJECT TITLE: PROPOSED PUMP HOUSE & FIRE TANK	OWNER: METAL INDUSTRY RESEARCH AND DEVELOPMENT CENTER (MIRDC)	DATE:	REVISION:	DESCRIPTION:	DESIGNED BY: LFS	LFS	SHEET CONTENTS: PUMP HOUSE & 30,000 GALS FIRE TANK	DRAWING NO.: A - 3
REG. NO.: 0039232 PTR. NO.: 5035423	IAPOA No.: 35702 239541 092518 ISSUED ON: JAN. 3, 2019	LOCATION:	ADDRESS:	DATE:	CHECKED BY: LFS	CADD BY: RHV	RHV	FLOOR PLAN ELEVATIONS & SECTION	SHEET NO.:
					APPROVED BY:				