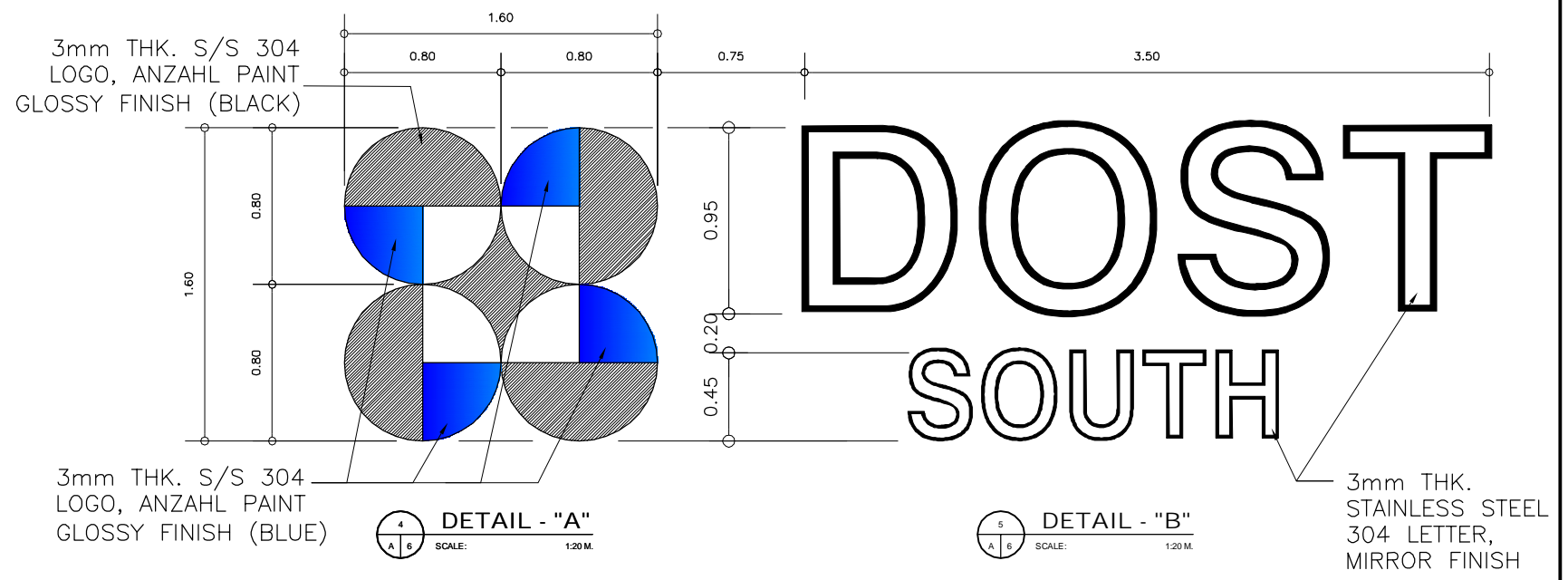


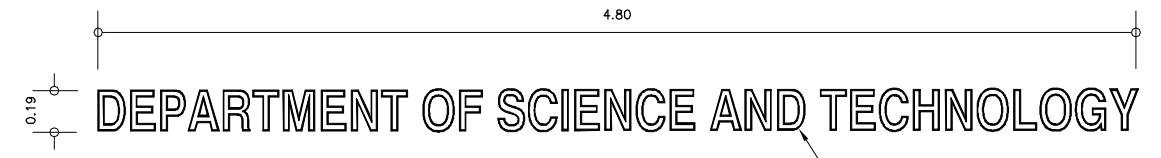
3 PLAN
SCALE: 1:30 M.



4 DETAIL - "A"
SCALE: 1:20 M.

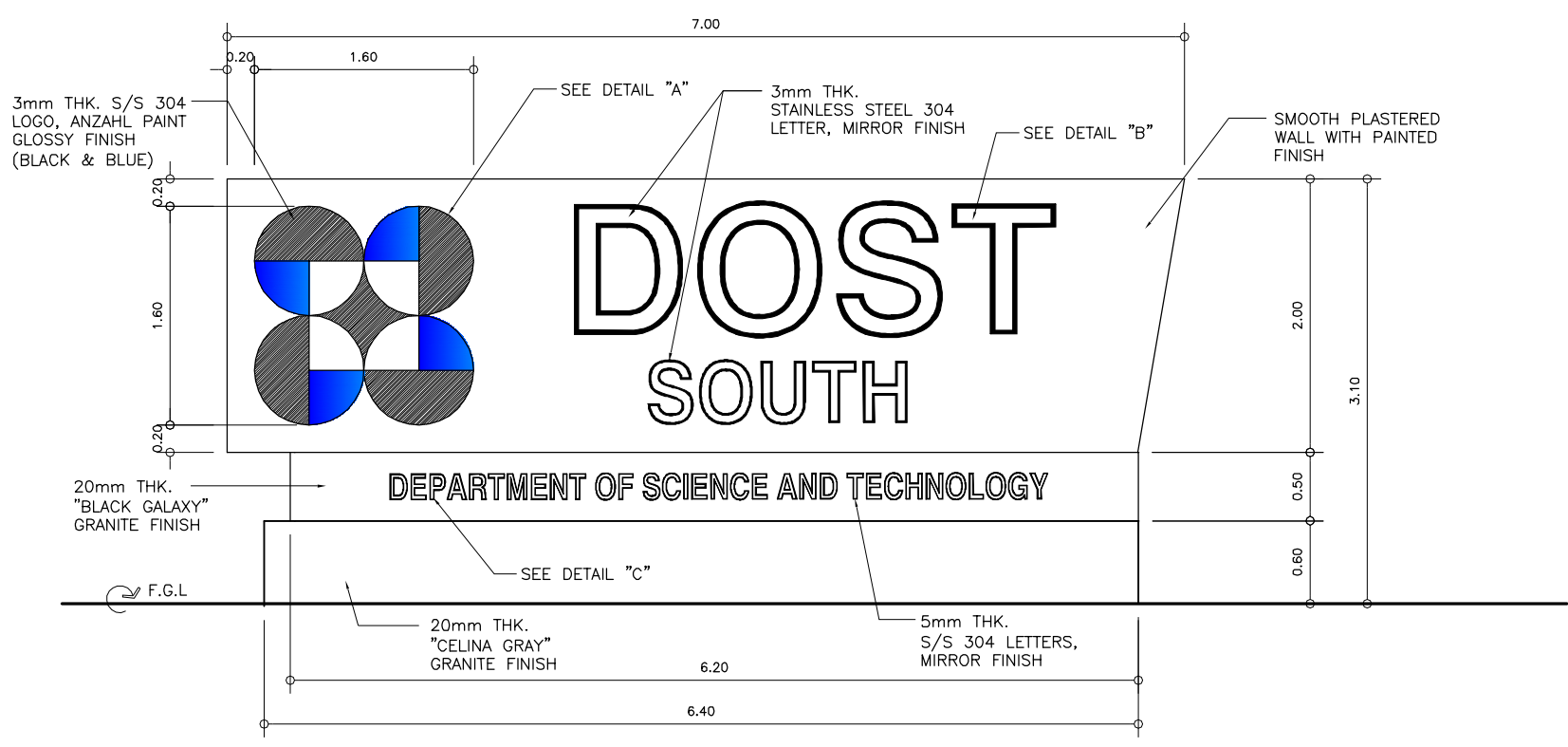
5 DETAIL - "B"
SCALE: 1:20 M.

3mm THK. STAINLESS STEEL 304 LETTER, MIRROR FINISH

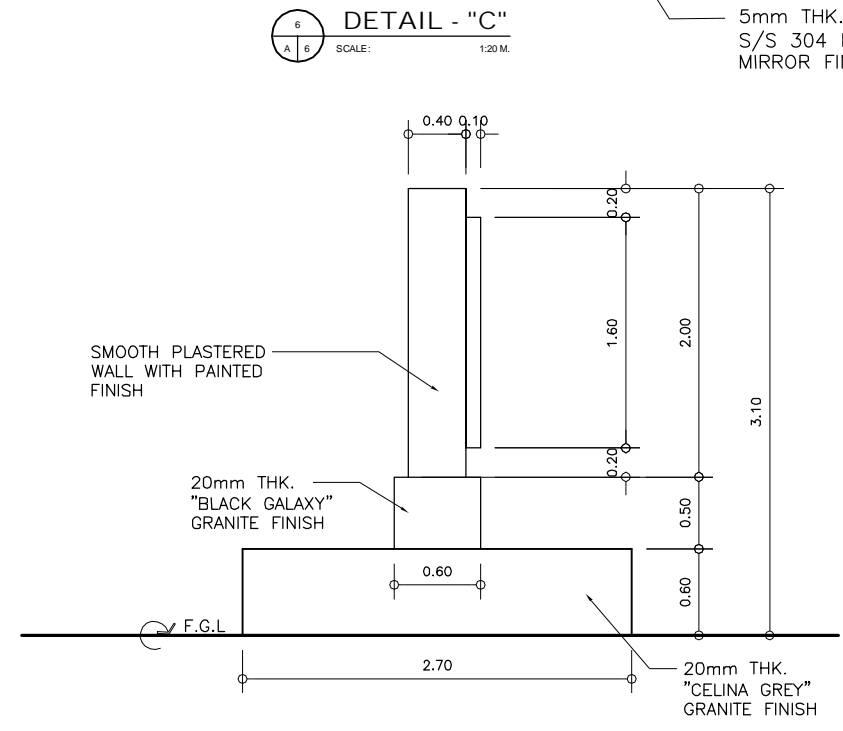


6 DETAIL - "C"
SCALE: 1:20 M.

5mm THK. S/S 304 LETTERS, MIRROR FINISH



1 FRONT ELEVATION
SCALE: 1:30 M.



2 LEFT SIDE ELEVATION
SCALE: 1:30 M.



GIBMA Engineering Services
Design - Construction - Project Management - Surveys

93 Kalikasan Street Karangalan Village Phase 2A, Dela Paz, Pasig City 1611
Tel. No.: 682 7114 Fax. No.: 682 8467 Cellphone No.: 0920 926441
URL: www.gibma.com E-mail: gibma2003@yahoo.com

CIVIL / STRUCTURAL ENGINEER : GILBERT B. MAGBUTAY		PROJECT TITLE : DOST SOUTH GATE	OWNER : METALS INDUSTRY RESEARCH AND DEVELOPMENT CENTER (MIRDC)	DATE :	REVISION :	DESCRIPTION :	DESIGNED BY : CADD BY : DATE :	SHEET CONTENTS : DOST SIGNAGE FRONT ELEVATION LEFT SIDE ELEVATION PLAN DETAIL A, B & C	DRAWING NO. : A - 6
REG. NO. : 055251	PTR NO. : 0232022	LOCATION : GEN. SANTOS AVE., BICUTAN, TAGUIG CITY, METRO MANILA	ADDRESS :				CHECKED BY : APPROVED BY : DATE :		SHEET NO. : 6 / 7
DATE : AUG. 1, 1989	ISSUED ON : JAN. 5, 2015								
TIN : 106-459-911	ISSUED AT : PASIG CITY								